

#10



Public Works Annex
2405 Garrett Way
Pocatello, Idaho 83201
208.234.6250
Fax 208.478.7152

MEMO

TO: Mayor Blad and Members of City Council

FROM: Levi Adams, WPC Department Superintendent

DATE: October 23, 2024

SUBJECT: Recommendation for Piggyback Purchase: (1) Vactor RamJet Truck

It is my recommendation that the City of Pocatello Water Pollution Control Department piggyback Sourcewell Contract #101221-VTR via MetroQuip Inc. for the purchase of one (1) new Vactor RamJet Truck on a 2025 Peterbilt cab & chassis. MetroQuip, Inc. has agreed to honor the piggyback pricing of this truck at the sum of \$375,385.77.

Funds for this procurement have been budgeted for in the WPC Department FY2025 budget. Supporting paperwork is attached for Council and Mayor approval. The Council may also wish to authorize Mayor Blad to execute the documentation necessary to effectuate the procurement.

#10

To: City Council and Mayor
From: Matt Kerbs, Deputy City Attorney MK
Date: November 14, 2024
Re: Cooperative Purchasing on Sourcewell Contract #101221-VTR – (1)
Vactor RamJet Truck

I have reviewed the above referenced Sourcewell Contract and quote with MetroQuip Inc. for procurement of one (1) Vactor RamJet Truck on a 2025 Peterbilt cab and chassis, and have no legal concerns with the Council approving the purchase, as permitted in Idaho Code §67-2807, and authorizing the Mayor to sign and execute all documents effectuating the purchase.



QUOTE

MetroQuip, Inc.

1953 E. Commercial
 Meridian, ID 83642
 ph:(208)344-3318 fax:(208)345-5931

QUOTATION NO. RamJet
 DATE September 17, 2024
 CUSTOMER ID Pocatello
 EXPIRATION DATE 90 Days

TO Searra Simpson
 City of Pocatello
 2405 Garrett Way
 Pocatello, ID 83201
 PH: 208-234-6155

ssimpson@pocatello.gov

SALESPERSON	FOB	PAYMENT TERMS	DUE DATE
Jeff McCoy (208)921-5332	Pocatello, ID	Standard Terms and Conditions	

PRICING UTILIZING SOURCEWELL CONTRACT 101221-VTR

QUANTITY	DESCRIPTION	UNIT PRICE	LINE TOTAL
1.00	Vactor RamJet Rear Reel and Shroud, 1500 Gallons, 60 GPM @ 2500 PSI Rodder Pump, 3/4" X 800' Rodder Hose - See Specs	\$248,341.00	\$248,341.00
1.00	2025 Peterbilt 548, PACCAR PX-9 330 HP, Allison 3000 RDS-P, 37,600 GVWR - See Specs See attachd specs for specific details Per Jackson Group Peterbilt, payment for chassis due upon shipment of chassis to Vactor	\$127,995.00	\$127,995.00
1.00	Sourcewell Contract 101221-VTR Discount	-\$7,450.23	-\$7,450.23
1.00	Freight, PDI, and Training	\$6,500.00	\$6,500.00

This is a quotation for the goods named, subject to the conditions noted below. This quotation is valid for 30 days from date above unless otherwise noted. The prices do not include freight charges, sales tax, F.E.T., or other applicable taxes unless noted. All sales are subject to availability and/or prior sale.

SUBTOTAL	\$ 375,385.77
SALES TAX	-
TOTAL	\$ 375,385.77

To Accept this quotation, sign here and return: _____

THANK YOU FOR YOUR BUSINESS!



Subsidiary of Federal Signal Corporation

Vactor Manufacturing INC.
 1621 South Illinois St.
 Streator, IL 61364
 Phone: (815) 672-3171
 Fax: (815) 672-2779
 www.Vactor.com

ORDER DATE:	
PAGE #:	1 of 8
SALES ORDER #:	
WORK ORDER #:	
PRICE LIST DATE:	08-05-2024
SERIAL #:	
BMI QUOTE #:	2024-75179

SALES ACKNOWLEDGEMENT

SOLD TO: 100335
 METROQUIP INC
 1953 E COMMERCIAL ST
 MERIDIAN, ID83642-5965
 US

SHIP TO: 100335
 METROQUIP INC
 1953 E COMMERCIAL ST
 MERIDIAN, ID 83642-5965
 US

END CUSTOMER: CITY OF POCATELLO

PURCHASE ORDER		SALES ORDER NO.		PAYMENT TERMS		QUOTE NO.		Incoterms		
						2024-75179				
ORDER DATE			SHIP DATE			SALES REGION				
						154 - Neil Gerrity				
QTY	PART NUMBER	DESCRIPTION					LIST PRICE			
1	VRR1500	RamJet Rear Reel 1500 Gallons					\$168,193.00			
1	VR005STD	2-1/2" x 25' Fill Hose w/ Connections Street Side and Curb Side					\$0.00			
1	VR015STD	304 Stainless Steel Tank w/Baffle w/10 Yr Warranty					\$0.00			
1	VR019STD	Intuitouch Electronic Package					\$0.00			
1	VR032ASTD	(3) Nozzles w/ Carbide Inserts					\$0.00			
1	VR035STD	1" x 10' Leader Hose w/ 1" Nozzle Pipe					\$0.00			
1	VR060STD	Hydrant Wrench					\$0.00			
1	VR065STD	Handgun Assembly					\$0.00			
1	VR115STD	Color Coded Sealed Electrical System					\$0.00			
1	VR120STD	Aluminum Rear Fenders w/ Mud Flaps and Anti-Sail Brackets					\$0.00			
1	VR150STD	Hydraulic Oil Sight Gauge					\$0.00			
1	VR151STD	Electric Back-Up Alarm					\$0.00			
1	VR183STD	Multi-Flow Water System					\$0.00			
1	VR184STD	Hydraulic Manifold Hose Reel Controls					\$0.00			
1	VR2001STD	Low Water Alarm with Water Pump Flow Indicator					\$0.00			

1	VR2011STD	3" Y-Strainer Filter in Water Tank Fill w/ Cleanable Filter Accessable at Ground Level	\$0.00
1	VR2013STD	Flexible Hose Guide	\$0.00
1	VR2077STD	3" Y-Strainer Filter in Jet Rodder Pump Suction w/ Cleanable Filter Accessable at Ground Level	\$0.00
1	VR3019STD	Digital Water Pressure Gauge	\$0.00
1	VR5010STD	Rodder System Accumulator - Jack Hammer on/off Control w/ manual valve	\$0.00
1	VR5014STD	1" Water Relief Valve	\$0.00
1	VR5022STD	Side Mounted Jet Rodder Pump W/ Two Yr. Warranty	\$0.00
1	VR560STD	Road Side Hazard Kit	\$0.00
1	VR590STD	Fire Extinguisher 5 Lbs.	\$0.00
1	VR6000BSTD	400' x 1" Sewer Hose 2500 PSI Piranha	\$0.00
1	VR6005DSTD	Digital Hose Footage Counter	\$0.00
1	VR6017STD	Hydraulic Tank Suction Shutoff Valves	\$0.00
2	VR6019STD	Rodder Pump Drain Valves	\$0.00
1	VR7001STD	Tachometer / Chassis Engine w/ Hour Meter / Oil Presure / Coolant Temperature / Hour Meter	\$0.00
1	VR7005STD	Hydraulic Oil Temp Alarm w/Indicator and Shutdown	\$0.00
1	VR8000STD	Circuit Breakers	\$0.00
1	VR8025STD	LED Lights Clearance Backup Stop Tail & Turn	\$0.00
1	VR9002ASTD	Tow Hooks Rear	\$0.00
1	VR9002STD	Tow Hooks Front	\$0.00
1	VR9019BSTD	Over Fender ToolBox- Passenger Side	\$0.00
1	VR9021STD	Rear View Camera	\$0.00
1	512459A-30	Vactor Standard Manuals w/ Cloud Parts	\$0.00
1	CM-CUSTOM-2025-02	Chassis Modifications - 2025 CUSTOM Chassis	\$800.00
1	LOGO-LOOSE	Vactor/Guzzler Logos - Shipped Loose	\$0.00
1	VR090F	Rear Shroud Package- Cylinder Shroud w/ Hood Rodder Pump Cabinet Transition Tool Cabinet	\$35,965.00
1	VR091	Rear Hose Reel Shroud Lights	\$705.00
1	VR092	Rodder Pump Cabinet Lights	\$424.00
1	VR2004	Continuous Water Tank Fill	\$2,261.00
1	VR2006	Air Purge	\$1,700.00
1	VR2403B	Heater Package- Hose Reel and Rodder Pump Cabinet	\$2,805.00
1	VR3020	Digital Water Level Indicator	\$886.00
1	VR4011B	Bellypack Wireless Controls including hose reel controls	\$4,084.00
1	VR5001A	60 GPM/2500 PSI Jet Rodder pump	\$0.00
1	VR5008B	Cold Weather Recirculator PTO Driven 25 GPM	\$2,255.00
1	VR5017	Hose Reel, Freespool	\$1,303.00
1	VR6004D	Rodder Hose Pinch Roller	\$1,827.00

1	VR6008	Hose Reel Manual Rewind Tool	\$674.00
1	VR6015B	Rotating Hose Reel 1" x 900' Capacity	\$2,951.00
1	VR6025C	Hose Wind Guide (Dual Roller) Auto Hydraulically Indexing	\$6,184.00
1	VR8001M	Rear Directional Control LED Arrowstick	\$2,310.00
1	VR8002A	Wireless Waterproof Rechargeable Handheld LED Spot Light w/12V Charger	\$467.00
1	VR8004F	Rear Mounted LED Beacon Light w/ Limb Guard	\$1,336.00
1	VR8016	Worklights (2) Rear LED	\$1,036.00
1	VR8024	Amber Lights for Flashing Light Package	\$0.00
1	VR8026A	10 Light Package 10 Federal Signal Strobe Lights LED	\$3,208.00
1	VR8029	Side Worklights LED	\$1,355.00
1	VR9018B	Over Fender ToolBox- Driver Side	\$2,131.00
1	VR9023C	Safety Cone Storage Rack	\$214.00
1	VR9071A	Long Handle Tool Storage	\$454.00
1	CUSTOMER-PB	Customer Supplied Chassis, Single Axle, 2025 Peterbilt 548 SBA 4x2, 330 HP, Auto, 37,600 GVWR, GHG	\$0.00

Chassis Source - Customer
 Module Paint Match Cab - false
 Module Paint Color - Orange
 Module Paint Color Code - N0789EX
 Cab Color - Silver
 Cab Color Code -
 Chassis Make - Peterbilt
 Chassis Model - Custom
 Chassis VIN -

Special Request

Qty	Part Number	Description	List Price
1	R29135	Rodder hose - 3/4" x 800' Piranha 2500 psi	\$2,813.00

Chassis Notes:
Paint Notes:
Spare Parts Notes:
Special Delivery Requirements:
Other Notes:
Revision Log:



Peterbilt Of Utah (P250)
 1910 S. 5500 West
 Salt Lake City, Utah 84104

City Of Pocatello
 1121 S 2Nd Ave
 Pocatello, Idaho 83201
 United States of America

Doug Jarvis
 Cell Phone:
 Office Phone: 801-486-8781
 Email: djarvis@jgpete.com

Searra Simpson
 Office Phone: 2082346250
 Email: ssimpson@pocatello.us

Vehicle Summary

	Unit		Chassis	
Model:	Model 548	Fr Axle Load (lbs):		14600
Type:	Full Truck	Rr Axle Load (lbs):		23000
Description 1:	Pocatello	G.C.W. (lbs):		37600
Description 2:	Metroquip Spec 8-29-24			
	Application	Road Conditions:		
Intended Serv.:	Tanker, Liquid Bulk	Class A (Highway)		60
Commodity:	Construction Materials	Class B (Hwy/Mtn)		40
		Class C (Off-Hwy)		0
	Body	Class D (Off-Road)		0
Type:	Vacuum	Maximum Grade:		6
Length (ft):	20	Wheelbase (in):		182
Height (ft):	13.5	Overhang (in):		72
Max Laden Weight (lbs):	1000	Fr Axle to BOC (in):		69.5
		Cab to Axle (in):		112.5
	Trailer	Cab to EOF (in):		184.5
No. of Trailer Axles:	0	Overall Comb. Length (in):		294
Type:				
Length (ft):	0			
Height (ft):	0			
Kingpin Inset (in):	0			
Corner Radius (in):	0			
	Restrictions			
Length (ft):	40			
Width (in):	102			
Height (ft):	13.5			

Approved by: _____

Date: _____

Note: All sales are F.O.B. designated plant of manufacture.



Sales Code	Std/Opt	Description	Weight
Base Model			
0005481	S	Model 548 The Model 548 meets and exceeds the demands of Class 7 and Class 8 specialty application markets that require a rugged workhorse for durability and a wide range of optional content. The Model 548 is available in configurations with a GVW from 33,001 to 66,000 lbs. to suit most vocational applications. The 548 also offers all-wheel-drive. From construction and crane service to utility and delivery services in both Class 7 and Class 8 markets, the 548 is in a class of its own.	10,860
0091070	O	Construction Materials	0
0093020	O	Tanker, Liquid Bulk General freight (linehaul) service using a liquid bulk tanker body or tanker trailer.	0
0095130	O	Vacuum A truck with a pump designed to liquids or sludges into the tank of the truck for transport to a treatment or disposal site.	0
0098170	S	United States Registry Canadian Registry Package Requires Air Conditioning Excise Tax Canada, Speedometer to be KPH ipso MPH, Daytime Running Lights and Rubber Battery Pad in Bottom of Battery Box.	0
Configuration			
0200700	S	Not Applicable Secondary Manufacturer	0
Frame & Equipment			
0515030	S	10-5/8" Steel Rails to 285" 10.625 x 3.45 x .313 Dimension, 1,776,000 RBM; Yield Strength: 120,000 psi. Section Modulus: 14.8 cubic inches. Weight: 1.44 lbs/inch pair	129
0611300	S	Heavy Duty 5-Piece Crossmember BOC IPO Standard Class 5, 6, 7	0
0611790	S	Aluminum Frame Rail Crossmembers Excludes suspension	0
0612230	O	Custom Wheelbase or Overhang Engineering approval may be required.	0
0613095	O	3-Piece Suspension Crossmembers	0
0613220	O	Bolts IPO Hucks W/HD 5 Piece BOC Crossmember	0
0644090	S	EOF Square without Crossmember End-of-frame square without crossmember. For use with body builder installed crossmember.	0
0651090	O	Omit Rear Mudflaps and Hangers	-25
Front Axle & Equipment			



Sales Code	Std/ Opt	Description	Weight
1011350	O	Dana Spicer E1462I 14,600 lb, 3.5 in. Drop Factory front axle alignment to improve handling & reduce tire wear. Zerk fittings on tie rod ends, king pins, & draglink ball joints for ease of maintenance & help extend service life of components. Cognis EMGARD® FE 75W-90 synthetic axle lube provides over 1% fuel economy improvement. Reduces wear & extends maintenance intervals, resulting in increased uptime. Provides improved fluid flow to protect components in extreme cold conditions & withstand the stress from high temperatures, extending component life.	20
1112150	O	Taper Leaf Springs, Shocks 14,600 lb Hendrickson Taper Leaf Springs, shocks 14,600 lb.	56
1243060	O	Power Steering Sheppard SD110 The SD110 power steering gear is a compact version of the M110 power steering gear. The SD110, working with a 185 bar pump is capable of steering vocational and heavy haul vehicles with front axle ratings of 13,200 to 16,000 lbs. in single gear applications.	44
1250180	S	Power Steering Reservoir Frame Mounted The power steering reservoir is a steering system that eases drivability by applying hydraulic pressure to the steering gear.	0
1354850	O	PHP10 Iron PreSet PLUS Hubs - Air Disc Preset iron hub assemblies are designed for demanding conditions and require less maintenance while still offering dependability and superior performance. Precisely engineered to minimize roller stress under heavy loads and increase bearing life when used in demanding conditions such as wide-based single wheels and misalignment due to spindle wear.	27
1354870	O	Severe Service Disc Brake Rotor For refuse applications, providing the braking torque necessary to slow or stop the vehicle.	100
1380070	O	Greasable Front Spring Pins	0
1380240	O	Dana Spicer Wide Track IPO Standard Dana Spicer wide track front axles offer added stability and deliver greater turn angles. 71in KPI IPO 69in for E1202, E1322, E1462, D2000F front axles.	15
1380290	O	Bendix Air Disc Front Brakes Bendix air disc front brakes use a floating caliper design to provide foundation braking on all axles and complies with reduced stopping distance regulations.	30
1391480	O	Pad Dust Shields for Air Disc Brakes; Front Axle Pad dust shields for air disc brakes can increase brake life. Brake dust shields reduce the buildup of road grime, extend brake system life and prevent premature failure.	2
Rear Axle & Equipment			
1513180	O	Dana Spicer S23-190 23,000 lb Laser factory axle alignment to improve handling & reduce tire wear. Magnetic rear axle oil drain plug captures & holds any metal fragments in drive axle lube to extend service life. Parking brakes on all drive axles for optimal performance. Cognis EMGARD® FE 75W-90	14

Price Level: January 1, 2024

Deal: Pocatello

Printed On: 9/16/2024 12:29:19 PM

Date: September 16, 2024

Quote Number: QUO-1125708-M5D0F5



Sales Code	Std/ Opt	Description	Weight
		synthetic axle lube provides over 1% fuel economy improvement. Reduces wear & extends maintenance intervals, resulting in increased uptime. Provides improved fluid flow to protect components in extreme cold conditions & withstand the stress from high temperatures, extending component life.	
1616300	S	PHP10 Iron PreSet PLUS Hubs	0
1660000	O	Dust Shields For Cam Brakes, Drive Axle(s)	15
1671060	O	Dana Spicer Trac-Lok Limited Slip Differential; S140/S14 Axles Only. Dana Spicer Trac-Loc Limited slip differential that improves traction for medium duty trucks. Trac-Lock is available on Spier S140 single drive axle models with a gross axle weight rating from 17,000 lbs. up to 21,000 lbs. During a slip event, it automatically sends approximately three times more torque to the high-traction wheel-end. The Spicer Trac-Loc then returns to normal wheel-end differentiation as conditions change in order to deliver maximum vehicle handling.	0
1680450	O	Rear Brake Camshaft Reinforcement Rear brake camshaft reinforcement helps guard against wear and corrosion.	9
1680490	O	Gusseted Cam Brackets, Drive Axle(s)	2
1680500	S	SBM Valve Full trucks require a spring brake modulation (SBM) system for emergency braking application. This system requires an SBM valve and a relay valve with spring brakes on the rear axles. The SBM valve allows the foot valve to operate the rear axle spring brakes if a failure exists in the rear air system.	0
1680950	S	Stability System Not Selected Or Not Available	0
1682430	S	Anti-Lock Braking System (ABS) 4S4M ABS-6. Includes air braking system.	0
1684200	S	Synthetic Axle Lubricant All Axles Peterbilt heavy duty models include Fuel Efficient Cognis EMGARD FE75W-90 which provides customers performance advantages over current synthetic lubricants with reduced gear wear and extended maintenance intervals, resulting in increased uptime. In addition, the lubricant provides improved fluid flow to protect gears in extreme cold conditions and withstand the stress from high temperatures, extending component life.	0
1687010	S	Bendix Air Cam Rear Drum Brakes 16.5x7 Bendix Air Cam Rear Drum Brakes to fit all heavy haul, construction, refuse and highway truck and tractor applications. Includes Automatic Slack Adjusters & Outboard Mounted Brake Drums.	0
1688110	O	Heavy Duty Cam Bushings, Drive Axle(s)	0
1705380	O	Ratio 5.38 Rear Axle	0
1816020	S	Reyco 79KB Multi Leaf 23,000 Lb	0

Price Level: January 1, 2024

Deal: Pocatello

Printed On: 9/16/2024 12:29:19 PM

Date: September 16, 2024

Quote Number: QUO-1125708-M5D0F5



Sales Code	Std/Opt	Description	Weight
1911070	O	Reyco Helper Springs 4,500 lb For use with Reyco 79KB suspension	62

Engine & Equipment

2074805	O	PACCAR PX-9 330@2000 GOV@2200 1000@1200 Productivity (2024 Emissions)	0
		N21350 C121 75....Maximum Accelerator Pedal Ve	
		N21370 C128 75....Maximum Cruise Speed (P059)	
		N21460 C132 1400..Max PTO Speed (P046)	
		N21520 C133 10....Timer Setting (P030)	
		N21610 C188 0.....Low Ambient Temperature Thre	
		N21620 C189 60....Intermediate Ambient Tempera	
		N21630 C190 70....High Ambient Temperature Thr	
		N21550 C206 0.....Engine Load Threshold (P516)	
		N21340 C209 120...Hard Maximum Speed Limit (P1	
		N21510 C225 YES...Enable Idle Shutdown Park Br	
		N21450 C231 NO....Gear Down Protection (P026)	
		N21570 C233 NO....Idle Shutdown Manual Overrul	
		N21440 C234 YES...Engine Protection Shutdown (
		N21480 C238 YES...Auto Engine Brake in Cruise	
		N21470 C239 YES...Cruise Control Auto Resume (
		N21430 C333 0.....Reserve Speed Limit Offset (
		N21410 C334 0.....Maximum Cycle Distance (N202	
		N21590 C382 YES...Enable Hot Ambient Automatic	
		N21500 C395 0.....Expiration Distance (N209)	
		N21530 C396 YES...Enable Impending Shutdown Wa	
		N21540 C397 30....Timer For Impending Shutdown	
		N21320 C399 0.....Standard Maximum Speed Limit	
		N21400 C400 252...Reserve Speed Function Reset	
		N21420 C401 10....Maximum Active Distance (N20	
		N21330 C402 0.....Expiration Distance (N207)	
2091120	S	EMUX Electronics Architecture	0
2091305	O	Engine Idle Shutdown Timer Enabled	0
2091315	O	Enable EIST Ambient Temp Overrule	0
2091372		Eff EIST NA Expiration Miles	0
2091640		Effective VSL Setting NA	0
2092016	O	Typical Operating Speed 62 MPH	0
2092032	O	Powertrain Optimized for Performance Best analysis for vehicles used in vocational applications or with heavy GCWRs.	0
2140460	S	Remote PTO/Throttle, 12-Pin, 250K BOC/BOS	0

Price Level: January 1, 2024

Deal: Pocatello

Printed On: 9/16/2024 12:29:19 PM

Date: September 16, 2024

Quote Number: QUO-1125708-M5D0F5



Sales Code	Std/ Opt	Description	Weight
		J1939, Remote Control Provision	
2140670	O	EPA Emission Warranty	0
2140700	S	EPA Engine Idling Compliance	0
2513060	S	PACCAR 160 Amp Alternator, Brushed PACCAR 160 AMP alternator, brushed producing 160 Amps at road speed and 100 Amps at idle.	0
2521090	O	Immersion Type Block Heater 110-120V Standard location is left-hand under cab, Model 520 is in bumper, and for Model 220 it is at the driver step. Plug includes a weather-proof cover that protects the receptacle. This pre-heater keeps the coolant in the engine block from freezing when the engine is not running.	2
2522110	S	PACCAR 12V Starter, N/A PACCAR MX Engines PACCAR 12-volt electrical system. With centralized power distribution incorporating plug-in style relays. Circuit protection for serviceability, 12-volt light system w/circuit protection circuits number & color coded.	0
2538030	S	2 PACCAR Premium 12V Starting Batteries 2000 CCA Threaded stud type terminal. Stranded copper battery cables are double aught (00) or larger to reduce resistance.	0
2539410	O	Battery Jumper Terminal Mounted Under Hood LH Frame Rail. Not available with PX-7 engines.	4
2539720	O	Low Voltage Disconnect System	0
2621130	O	Belt Driven Variable Speed Fan Clutch PX9 Engine PX7/ PX9/L9N/B6.7N. The belt-driven fully variable speed fan drives communicate directly with the PX9 ECM through the included electronic controller, managing the fan speed to match the exact amount of cooling required. The optimized setup creates smoother engagements, reduces noise and frees up available horsepower. These fan drives are also maintenance-free. A belt, additional pulleys, idlers, tensioners, and a drive hub are included to drive the fan.	0
2723210	S	18.7 CFM Air Compressor N/A X15. Furnished on engine. Teflon lined stainless steel braided compressor discharge line.	0
2812210	S	VGT Exhaust Brake (Variable Geometry Turbo). Provides approximately 90-100 HP of retardation and is part of the turbocharger.	0
2921110	S	PACCAR Fuel/Water Separator Standard Service PACCAR Fuel/Water separator standard service intervals. High efficiency media protects critical engine components.	0
2921220	O	Fuel Heat for Fuel Filter	0
2921320	O	12V Heat for Fuel Filter Fuel filter heaters help ensure a seamless flow of diesel from the tank to the combustion chamber. Eliminating any possibility of moisture freezing within the fuel filter while simultaneously increasing the fuel temperature for atomization within the engine.	0
3114270	S	High Efficiency Cooling System	0

Price Level: January 1, 2024

Deal: Pocatello

Printed On: 9/16/2024 12:29:19 PM

Date: September 16, 2024

Quote Number: QUO-1125708-M5D0F5



Sales Code	Std/ Opt	Description	Weight
		<p>Cooling module is a combination of steel and aluminum components, with aluminum connections to maximize performance and cooling capability. Silicone radiator & heater hoses enhance value, durability, & reliability. Constant tension band clamps reduce leaks. Chevron Delo Extended Life Coolant (NOAT) extends maintenance intervals reducing maintenance costs. Anti-freeze effective to -30 degrees F helps protect the engine. Low coolant level sensor warns of low coolant condition to prevent engine damage. Radiator Size by Model: 520 1202 sq in, 579 1456.9 sq in, 535/536/537/548 949.3 sq in, 537/548 VOC 1000.3 sq in, 389 HH 1604 sq in, 567 1379 sq in.</p>	
3211140	S	(1) Air Cleaner Engine Mounted	0
3367160	O	Exhaust Single RH Side of Cab DPF/SCR RH Under Cab, Single Module	40
3381770	O	Curved Tip Standpipe(s)	1
3387500	O	48" Ht, 5" Dia Chrome, Clear Coat Standpipe(s)	8
Transmission & Equipment			
4052920	O	Allison 3000 RDS-P Transmission, Gen 6 Rugged Duty Series	128
4211000	O	SPL170 HD-XL Driveline, 1 Midship Bearing	20
4216660	O	Service Free Driveline Service free driveline for SPL350, SPL250, SPL170, SPL100.	0
4230080	O	PTO F/O Chelsea	0
4233930	O	(1) Dash Mounted Double Acting EOA PTO Control Electric-over-air (EOA), spec'ing PTO (power-take-off) control switch does not ensure the PTO will fit.	1
4250500	U	Allison RDS, Pkg 172	0
4250650	U	LH PTO Access Trans Dipstick Tube Route	0
4250900	O	Main Transmission Rear Support Additional rear support for the transmission to provide a firm, durable design that improves stabilization of the drivetrain in rugged terrain	10
4252890	O	Allison FuelSense Not Desired Dynamic Shift Sensing	0
4252940	O	Allison Neutral At Stop Neutral at Stop features and benefits: Reduces or eliminates the load on the engine when vehicle is stopped, can help lower fuel consumption and CO2 emissions, and is included in FuelSense 2.0 Plus and Max packages only.	0
4253090	O	Severe Service Rear Transmission Support Spring	0
4256470	O	Allison MD/HD/RDS 4th Gear Lockup AJ	0

Price Level: January 1, 2024

Deal: Pocatello

Printed On: 9/16/2024 12:29:19 PM

Date: September 16, 2024

Quote Number: QUO-1125708-M5D0F5



Sales Code	Std/Opt	Description	Weight
		Allison Vocation Package 150, split shaft PTO Pumper/Vacuum except Fire Truck Pumper	
4256640	O	Allison 6-Speed Configuration, Close Ratio Gears 3000 Series Transmissions.	0
4256920	O	Dash Mounted Push Button Shifter Available with Allison transmissions	3
4257110	O	LH Mounted Trans PTO Provisions	0
4257120	O	RH Mounted Trans PTO Provisions	0
Air & Trailer Equipment			
4510190	S	Bendix AD-HF Air Dryer, Heater Bendix AD-HF air filters protects the life of your engine system and components. Proven PuraGuard oil coalescing technology in the the air dryer cartridge. This oil coalescing filter ensures the removal of oil and oil aerosols before they can contaminate the moisture removing desiccant.	0
4520420	O	Pull Cords All Air Tanks	0
4540420	S	Nylon Chassis Hose	0
4543320	S	Steel Painted Air Tanks All air tanks are steel with painted finish except when Code 4543330 Polish Aluminum Air Tanks is also selected (then exposed air tanks outside the frame rails will be polished aluminum). Peterbilt will determine the optimal size and location of required air tanks. Narratives requesting a specific air tank size or location will not be accepted for factory installation. See ECAT to determine number or location of air tanks installed.	0
4610340	O	Body Lighting Junction Box Without Wiring Located at EOF	3
4611930	O	Body Connections 5' BOC Junction box contains light and power circuits for body connections located 5' from back-of-cab	4
4615250	O	Fitting For F/O Air Port The furnished by owner fitting air port is mounted outboard of the driver's seat. This allows operators access to pressurize truck air, to maintain clean air in the cab.	0
Tires & Wheels			
5033580	O	FF: GY 16ply 12R22.5 Endurance RSA Efficiency Rating: Poor Goodyear Endurance RSA to help fleets reduce their cost per mile and maximize productivity on the job. This GHG-compliant tire features an innovative tread compound for enhanced fuel efficiency and scrub resistance. Ideal for highway and city driving, the Endurance RSA offers significant advantages in wear, rolling resistance and curb impact resistance. Diameter= 43.1 inches; SLR= 20.2 inches.	56
5159010	O	RR: MN 16ply 11R22.5 X Multi Energy D	64

Price Level: January 1, 2024

Deal: Pocatello

Printed On: 9/16/2024 12:29:19 PM

Date: September 16, 2024

Quote Number: QUO-1125708-M5D0F5



Sales Code	Std/Opt	Description	Weight
5190004	O	Code-rear Tire Qty 04	0
5220530	O	FF: Alcoa 89U647 22.5X9.00 High Polish Aluminum, Ultra ONE wheels with MagnaForce alloy.	-14
5320420	O	RR: Acc Steel Armor50291PK/Alcoa 885657 Steel inner/aluminum outer high polish finish 22.5X8.25.	12
5390004	O	Code-rear Rim Qty 04	0
5409325	O	Wheel Guards, Single Axle Wheel guards provide a protective barrier to maintain the integrity between the brake drums and wheels to ensure the maximum life for your polished wheels.	0
Fuel Tanks			
5584040	O	D-Shaped Aluminum 50 Gallon Fuel Tank LH U/C Non-slip step LH under cab	-10
5602050	O	Location LH U/C 50 Gallon	0
5652900	O	DEF Tank Mounted LH Under Cab	0
5652990	O	DEF To Fuel Ratio 2:1 Or Greater	0
5653270	O	Fuel Tank Drain Plug	0
5655019	S	DEF Tank Small, HD 14 Gal 2.1M MD 5.5 Gal	0
Battery Box & Bumper			
6010800	O	Install Batteries On Temp Plywood Support BOC Includes maximum length battery cables allowable per engine manufacture requirements. Recommend three or more batteries for Class 8.	-97
6040550	S	Aftertreatment Aluminum Non-Slip Cab Entry Aftertreatment right-hand under cab step. DPF/SCR for diesel engines, catalyst for natural gas engines. On Models 579 specifying chassis fairings, the box is aerodynamic.	0
6112840	O	Steel Bumper Tapered Chromed Two tow points. ***Warning*** Due to a new legal regulations, all New Medium Duty trucks require headlights to be located in the bumper when the chassis height is GREATER than the following chassis height: Measurement to bottom of frame at front of frame: for the 107 Aero Hood 32.6, for the 109 Aero Hood 31.4, for the 109 Vocational Hood 26.7. Work with applications if your chassis height is unacceptable.	115
Cab & Equipment			
6510190	O	Peterbilt Aero 109in BBC SMC Hood	15

Price Level: January 1, 2024

Deal: Pocatello

Printed On: 9/16/2024 12:29:19 PM

Date: September 16, 2024

Quote Number: QUO-1125708-M5D0F5



Sales Code	Std/Opt	Description	Weight
		With molded charcoal crown and aluminum cab.	
6540160	O	Thermal Insulation Package in Cab The thermal insulation package is designed to make the cab thermally efficient in extreme temperatures. The model 520 adds insulation surrounding the doghouse to reduce engine heat transmitted to the cab.	2
6800180	O	Hood Crown - Bright Finish ipo Molded Gray	0
6914180	S	Sears Driver Seat	0
6924180	S	Sears Passenger Seat	0
6930580	O	Drivers Armrests - LH & RH	4
6930590	O	Passenger Armrest - LH only Required with Evolution LX seats, optional with Evolution ST Seats.	2
6930800	O	Black Seat Color IPO Standard Color	0
6937040	O	Cloth Driver	0
6937050	O	Cloth Passenger	0
6939400	S	Air Ride Driver	0
6939420	O	High Back Driver	0
6939500	O	Air Ride Passenger	0
6939520	O	High Back Passenger	0
7000045	O	High-Visibility Interior Grabhandles, Painted Bright yellow interior grabhandle for vocational vehicles.	0
7000065	O	Metal Interior Door Panel Kick Plates	2
7001520	S	Adjustable Steering Column - Tilt/Telescope	0
7001620	S	Steering Wheel With Peterbilt Logo Steering Wheel with embossed Peterbilt logo over horn button.	0
7036130	O	Probilt Interior Charcoal Gray - Curved Roof	0
7210420	O	Dark Window Tint IPO Standard Tint - Day Cab	0
7210540	S	Day Cab Rear Window Day cab rear window flush to back of cab.	0
7210550	S	1-Piece Glass Rear Cab Window Fixed	0
7230060	S	1-Piece Curved Windshield	0
7230360	S	Power Door Locks and Power Window Lifts	0



Sales Code	Std/Opt	Description	Weight
		Standard	
7322010	S	Combo Fresh Air Heater/Air Conditioner With radiator mounted condenser, dedicated side window defrosters, Bi-Level Heater/Defroster Controls, 54,500 BTU/HR, and silicone heater hoses.	0
7330880	O	Additional Fine Particulate Filter For HVAC Syst 3 micron filtration. For use in extreme high dust applications. Not available with Ember filter 7330890.	1
7410040	O	Outside Sunvisor - Stainless Steel Not available with 2.1M high roof sleeper.	4
7510070	S	Aero Rear View Mirror Housing, Molded Black	0
7514010	O	Peterbilt Aero Rear View Mirror, Motorized Includes top mirror with motorized, adjustable dual axis heated glass. Bottom mirror is an integrated convex surface. Includes black textured arms with breakaway feature.	3
7514050	S	Look Down Mirror Over Passenger Door with Black Housing	0
7610500	S	Air Horn Mounted Under Cab	0
7722120	O	ConcertClass, AM/FM, Weatherband, 3.5 Aux	11
7725710	O	Standard Speaker Package For Cab (2) Speakers	4
7728030	O	Radio Mute When In Reverse For automatic or automated transmission	0
7728050	O	USB Port	0
7782230	O	Radio Antenna Mounted Logger Style Antenna Mounted LH on BOC In Place of Center Roof position on Conventional Models. Models 579 and 567 Antenna Mounted LH Roof In Place Of Center Roof position.	0
7788335	O	Global Telematics Hardware	0
7850015	O	Rear Wall Deep Record/Map Pocket	2
7851480	S	Peterbilt Electric Windshield Wipers With Intermittent Feature.	0
7852020	O	Cab Air Suspension	15
7852050	O	Auto Reset Circuit Protection Daycab and Sleeper	0
7855125	O	Internal Bugscreen - Aero Hood	2
7900025	O	Fire Extinguisher, Passenger, Inboard Air seat base, Hazmat approved UL listed/rated ABC	9
7900090	O	Triangle Reflector Kit, Ship Loose Florescent triangle emergency road flares are designed to meet and exceed all DOT standards.	13

Price Level: January 1, 2024

Deal: Pocatello

Printed On: 9/16/2024 12:29:19 PM

Date: September 16, 2024

Quote Number: QUO-1125708-M5D0F5



Sales Code	Std/Opt	Description	Weight
7901140	O	Backup Alarm (87-112 DB) Variable adjusting	6
8011850	O	Transmission Oil Temperature (Main) Located in Digital Cluster Display.	0
8021380	S	Air Restriction Indicator Mounted on air cleaner, intake piping, or firewall	0
8041200	O	Dual Scale Speedometer MPH Over KPH	0
8070000	O	Disable Brake Light With Engine Brake	0
8070090	O	(3) Additional Dash Switches with Wiring Located on dash panel C. Availability subject to dash space. Includes 4" 14 gauge wire with butt splice at rear of each additional switch.	1
8070390	O	Engine Hourmeter Gauge Located in Digital Cluster Display	0
8070450	O	Engine PTO Hourmeter Gauge Located In Digital Cluster Display	0
8070810	O	Engine Manifold Pressure (Turbo Boost) Located in Digital Cluster Display	0
8070820	O	Engine Percent Torque Located in Digital Cluster Display	0
8070860	S	Main Instrumentation Panel Digital Cluster 7" Display includes: Physical (Analog) - Speedometer, Tachometer, Oil Pressure, Coolant Temp and Display Gauges - Fuel Level, DEF Level, DPF Filter Status, Fuel Economy, Volts Telltale, OAT and Primary Air Pressure, Secondary Air Pressure for air brake trucks.	0
8070940	O	Voltmeter Gauge (MD/520 Only) Located in Digital Cluster Display	0
8111110	S	Headlights Composite Fender Mounted Integral DRL/Park, Turn, and Side Marker	0
8121210	O	(5) Marker Lights, Chrome Housing Aero LED	0
8134160	S	Self-Canceling Turn Signal	0
8140080	S	LED Stop/Turn/Tail/Backup Bracket mounted left-hand / right-hand end of frame	0
8140850	S	Moveable EOF Crossmember For Mounting Tail Lights Square end of frame with or without end of frame crossmember	0
Paint			
8500710	S	Standard Paint Color Selection	0
8530770	S	(1) Color Axalta Two Stage - Cab/Hood Base Coat/Clear Coat N85020 A - L0006EY WHITE N85500 CAB ROOF L0006EY WHITE N85300 FENDER L0006EY WHITE N85200 FRAME L0001EA BLACK	0

Price Level: January 1, 2024

Deal: Pocatello

Printed On: 9/16/2024 12:29:19 PM

Date: September 16, 2024

Quote Number: QUO-1125708-M5D0F5



Sales Code	Std/ Opt	Description	Weight
		N85400 HOOD TOP L0006EY WHITE	

Shipping Destination

Options Not Subject To Discount

9400091	S	Peterbilt Class 7 Standard Coverage 1 year/Unlimited Miles/km	0
9408634	O	SmartLINQ RD - 5YR Sub PACCAR PX Engines	0
9408703	O	Base Warr: Emissions 5YR/100K MI-EPA Engine	0
9408982	O	Vehicle Layout Option is not subject to discount. Fleets will be split prior to build so that the charge is applied to only one unit. Quotes will not reflect this.	0

Miscellaneous

9409045	S	Aero Hood (MODEL 548)	0
9409062	O	State Of Registry: Idaho	0
9409749	O	2024 Series Emissions Engine	0
9486469	O	PACCAR Protection Plan 1 (5/100) EPA 2024 Series PX-9 5Yr/100K Mi 160,935 Km	0
9486481	O	PACCAR Aftertreatment (5/100) EPA 2024 Series PX-9 5Yr/100K Mi 160,935 Km	0

Promotions

Special Requirements

- Special Requirement 1 0098170
- Special Requirement 2
- Special Requirement 3
- Special Requirement 4

Order Comments



Total Weight (lbs)

11,806

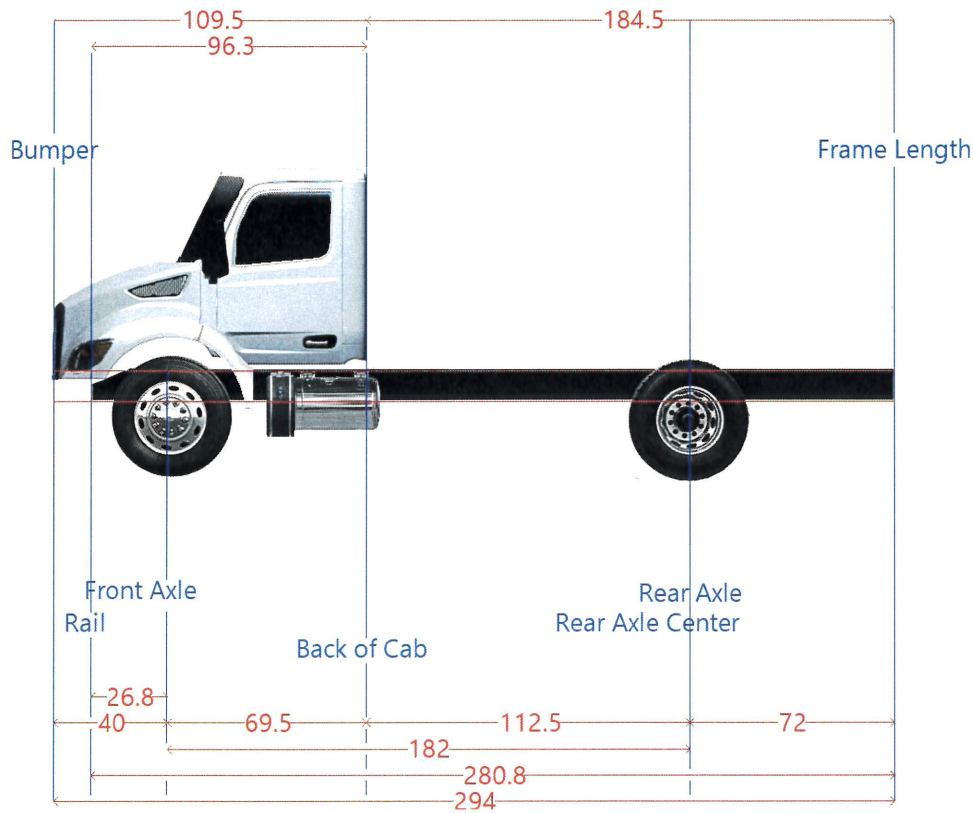
Prices and Specifications Subject to Change Without Notice.

Unpublished options may require review/approval.
Dimensional and performance data for unpublished options may vary from that displayed in CRM.

PRICING DISCLAIMER

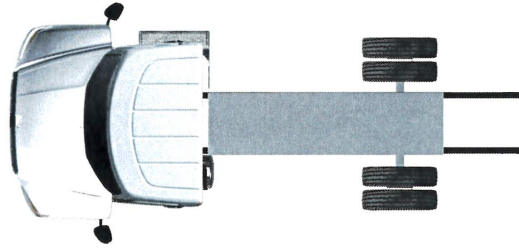
While we make every effort to maintain the web site to preserve pricing accuracy, prices are subject to change without notice. Although the information in this price list is presented in good faith and believed to be correct at the time of printing, we make no representations or warranties as to the completeness or accuracy of this information. We reserve the right to change, delete or otherwise modify the pricing information which is represented herein without any prior notice. We carefully check pricing specifications, but occasionally errors can occur, therefore we reserve the right to change such prices without notice. We disclaim all liability for any errors or omissions in the materials. In no event will we be responsible for any damages of any nature whatsoever from the reliance upon information from these materials. Please check your order prebills to confirm your pricing information

HORIZONTAL DIMENSIONS



Dimension	Measurement	Start	End
Axle Spacing	0	182	182
Bumper to Back of Cab	109.5	-40	69.5
Bumper to Front Axle	40	-40	0
Bumper to Front Frame	13.2	-40	-26.8
Cab to End of Frame	184.5	69.5	254
Cab to Rear Axle	112.5	69.5	182
Effective Bumper to Back Of Cab	109.5	-40	69.5
Frame Length	280.8	-26.8	254
Front Axle to Back of Cab	69.5	0	69.5
Front of Frame to Axle	26.8	-26.8	0
Load Space	184.5	69.5	254
Overall Length	294	-40	254
Overhang	72	182	254
Pusher Offset #1	0	182	182
Pusher Offset #2	0	182	182
Pusher Offset #3	0	182	182
Tag Offset	0	182	182
Wheelbase	182	0	182

FRAME LAYOUT



Note: The image displayed is representative only. It should not be construed as a layout diagram. Dimensions and components are not to scale.

Selected Options (Wheelbase: 182)

Sales Code	Description	Length	Side
6040550	Aftertreatment Aluminum Non-Slip Cab Entry	45.3	Right
5655019	DEF Tank Small, HD 14 Gal 2.1M MD 5.5 Gal	7	Left
5584040	D-Shaped Aluminum 50 Gallon Fuel Tank LH U/C	32.7	Left
6010800	Install Batteries On Temp Plywood Support BOC	20	Center